

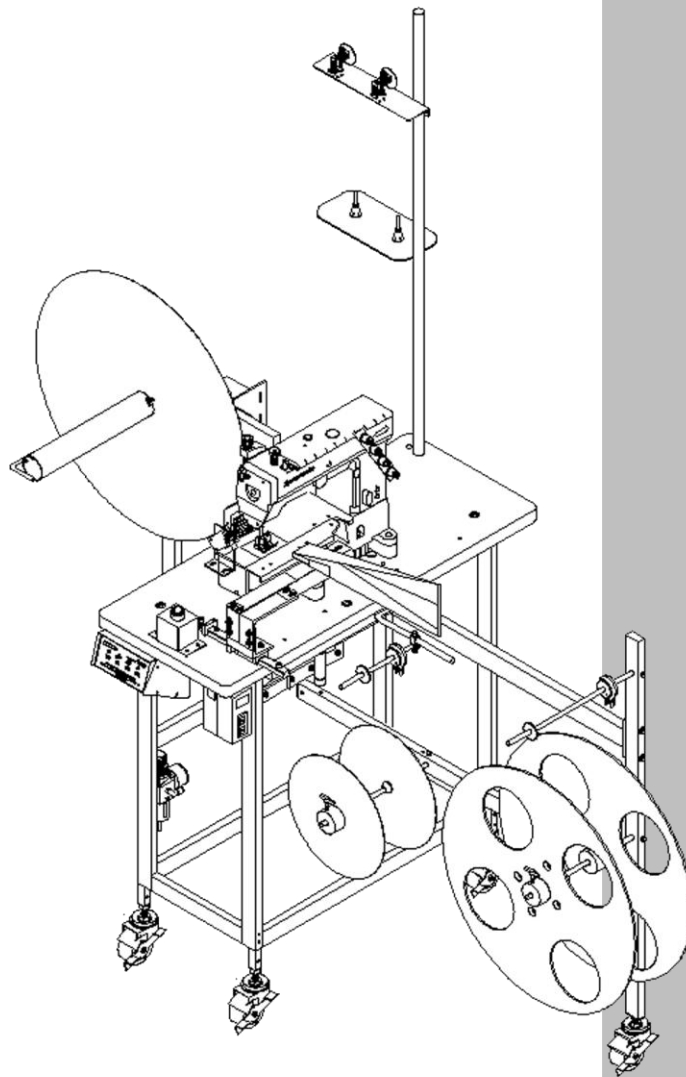


Model

1334

Revision 9.3 Updated Nov 8, 2012

Technical Manual & Parts Lists



From the library of: Diamond Needle Corp

Atlanta Attachment Company

362 Industrial Park Drive

Lawrenceville, GA 30046

770-963-7369 • www.atlatt.com

ATLANTA ATTACHMENT COMPANY, INC.

Confidential and Proprietary Information

The materials contained herein are confidential and proprietary information of Atlanta Attachment Company. In addition to any confidentiality and non-disclosure obligations that currently exist between you and Atlanta Attachment Company, your use of these materials serves as an acknowledgment of the confidential and proprietary nature of these materials and your duty not to make any unauthorized use or disclosure of these materials.

All materials contained herein are additionally protected by United States Copyright law and may not be used, disclosed, reproduced, distributed, published or sold without the express written consent of Atlanta Attachment Company, which consent may be withheld in Atlanta Attachment Company's sole discretion. You may not alter or remove any copyright, trademark or other notice from copies of these materials.

Patents & Patents Pending

The sale of this product does not sell or otherwise transfer any license or other rights under any U.S. Patent or other corresponding foreign patent.

This equipment is manufactured under one or more of the following patents:

4,280,421 • 4,432,294 • 4,466,367 • 4,644,883 • 5,134,947 • 5,159,889 • 5,203,270 • 5,373,798 • 5,437,238 • 5,522,332 • 5,524,563 • 5,562,060 • 5,634,418 • 5,647,293 • 5,657,711 • 5,743,202 • 5,865,135 • 5,899,159 • 5,915,319 • 5,918,560 • 5,924,376 • 5,979,345 • 6,035,794 • 6,055,921 • 6,202,579 • 6,279,869 • 6,295,481 • 6,494,225 • 6,523,488 • 6,574,815 • 6,802,271 • 6,834,603 • 6,968,794 • 6,994,043 • 7,543,364 • 7,574,788 • 7,647,876 • 7,735,439

Foreign Patents: 9-520,472 • 0,537,323 • 92,905,522.6 • 96,936,922.2 • 2,076,379 • 2,084,055
Other U.S. and Foreign Patents Pending.

IMPORTANT

It is important to read and understand the information contained within this manual before attempting to operate the machine. Atlanta Attachment Co., Inc. shall not be held liable for damage resulting from misuse of the information presented within, and reserves the right to change the information contained within, without prior notification.

Contents

Important Safety Instruction	1
Liability	2
Safety Equipment on the Machines	3
Protective Eyewear	4
Important Notices.....	5
Maintenance	7
Repair	8
A Word to the End User.....	9
Safety Precautions.....	9
Assembly Drawings & Parts Lists	11
11334SY28A Auto Flanging Workstation.....	13
1959-700 Table & Frame Assembly.....	15
1959-800 Roll Holder Assembly	17
1330200 Rewinder Assembly	19
1347098 Rewind Assembly W/Sleeve.....	21
1334-1000A Sewing Head Assembly.....	23
1334-1100D Folder Mount Assembly	25
1334-1200A Material Guide Assembly	27
1334S-PD Pneumatic Diagram	28
1347MA-PD Pneumatic Diagram.....	29
1334S-WD Wiring Diagram.....	30
1347MA-WD Wiring Diagram.....	31

Important Safety Instruction



This part of the Instruction Material is provided for the safe use of your equipment. It contains important information to help work safely with the unit and describes the dangers inherent in machinery. Some of these dangers are obvious, while others are less evident.

Mandatory Information

All persons operating and/or working on the 1334SY28A Auto Flanging Workstation should read and understand all parts of the Safety Instructions. This applies, in particular, for persons who only operate and/or work on the unit occasionally (e.g. for maintenance and repair). Persons who have difficulty reading must receive particularly thorough instruction.

Scope of the Instruction Material

- The Instruction Material comprises:
- Safety information
- Operator Instructions
- Electrical and Pneumatic diagrams

And may also include;

- A list of recommended spare parts
- Instruction Manual(s) for components made by other manufacturers
- The layout and installation diagram containing information for installation

Intended Use

Our machines are designed and built in line with the state of the art and the accepted safety rules. However, all machines may endanger the life and limb of their users and/or third parties and be damaged or cause damage to other property, particularly if they are operated incorrectly or used for purposes other than those specified in the Instruction Manual.

Exclusion of Misuse



Non-conforming uses include, for example, using the equipment for something other than it was designed for, as well as operation without duly installed safety equipment. The risk rests exclusively with the end user.

Conforming use of the machine includes compliance with the technical data, information and regulations in all parts of the complete Instruction Material, as well as compliance with the maintenance regulations. All local safety and accident prevention regulations must also be observed.

Liability

The machine should only be operated when in perfect working order, with due regard for safety and the potential dangers, as well as in accordance with the Instruction Material. Faults and malfunctions capable of impairing safety should be remedied immediately. We cannot accept any liability for personal injury or property damage due to operator errors or non-compliance with the safety instructions contained in this booklet. The risk rests exclusively with the end user.

The Instruction Material should always be kept near the machine so that it is accessible to all concerned.

The local, general, statutory and other binding regulations on accident prevention and environmental protection must also be observed in addition to the Instruction Material. The operating staff must be instructed accordingly. This obligation also includes the handling of dangerous substances and provision/use of personal protective equipment.

The Instruction Material should be supplemented by instructions, including supervisory and notification duties with due regard for special operational features, such as the organization of work, work sequences, the personnel deployed, etc.

The personnel's awareness of the dangers and compliance with the safety regulations should be checked at irregular intervals.

Choice and Qualification of Personnel

Ensure that work on the machine is only carried out by reliable persons who have been appropriately trained for such work - either within the company, by our field staff or at our office - and who have not only been duly appointed and authorized, but are also fully familiar with the local regulations. Work on the machine should only be carried out by skilled personnel, under the management and supervision of a duly qualified engineer.

This not only applies when the machine is used for production, but also for special work associated with its operation (start-up and maintenance), especially when it concerns work on the hydraulic or electrical systems, as well as on the software/serial bus system.

Training

Everyone working on or with the machine should be duly trained and informed with regard to correct use of the safety equipment, the foreseeable dangers which may arise during operation of the machine and the safety precautions to be taken. In addition, the personnel should be instructed to check all safety mechanisms at regular intervals.

Responsibilities

Clearly define exactly who is responsible for operating, setting-up, servicing and repairing the machine. Define the responsibilities of the machine operator and authorize him to refuse any instructions by third parties if they run contrary to the machine's safety. This applies in particular for the operators of machines linked to other equipment. Persons receiving training of any kind may only work on or with the machine under the constant supervision of an experienced operator. Note the minimum age limits permitted by law.

A Word to the Operator

The greatest danger inherent in our machines: is that of fingers, hands or loose clothing being drawn into a machine by live, coasting or rotating tools or assemblies or of being cut by sharp tools or burned by hot elements.

ALWAYS BE CONSCIOUS OF THESE DANGERS!

Safety Equipment on the Machines



All machines are delivered with safety equipment, which shall not be removed or bypassed during operation.

The correct functioning of safety equipment on machines and systems should be checked every day and before every new shift starts, after maintenance and repair work, when starting up for the first time and when restarting (e.g. after prolonged shutdowns).

If safety equipment has to be dismantled for setting-up, maintenance or repair work, such safety equipment shall be replaced and checked immediately upon completing the maintenance or repair work. All protective mechanisms shall be fitted and fully operational whenever the machine is at a standstill or if it has been shut down for a longer period of time.

Damage

If any changes capable of impairing safety are observed in the machine or its mode of operation, such as malfunctions, faults or changes in the machine or tools, appropriate steps must be taken immediately, the machine switched off and a proper lockout tagout procedure followed. The machine should be examined for obvious damage and defects at least once per shift. Damage found shall be immediately remedied by a duly authorized person before resuming operation of machine.

The machine should only be operated when in perfect working order and when all protective mechanisms and safety equipment, such as detachable protective mechanisms, emergency STOP systems, etc. are in place and operational.

Faults or Errors

The machine must be switched off and all moving or rotating parts allowed to come to a standstill and secured against accidental restart before starting to remedy any faults or errors.

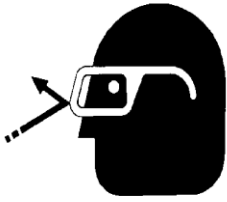
Signs on the Machine

Safety and danger signs on the machine should be observed and checked at regular intervals to ensure that they are complete and undamaged. They should be clearly visible and legible at all times.

Clothing, Jewelry, Protective Equipment

Long loose hair, loose-fitting clothes, gloves and jewelry, including rings, should be avoided in order to avoid injuries due to being caught, drawn in and wound up inside the machine.

Protective Eyewear



Protective eyewear that has been tested by the local authorities should be worn whenever there is a possibility of loose or flying objects or particles such as when cleaning the machine with compressed air.

Tools

Always count the number of tools in your possession before starting work on the machine. This will allow you to check that no tools have been left behind inside the machine. Never leave a tool in the machine while working.

Oils, Lubricants, Chemicals

Note the applicable safety regulations for the product used.

No Smoking, Fire, Explosion Hazard

Smoking and open flame (e.g. welding work) should be prohibited in the production area due to the risk of fire and explosions.

Workplace

A clear working area without any obstructions whatsoever is essential for safe operation of the machine. The floor should be level and clean, without any waste.

The workplace should be well lit, either by the general lighting or by local lights.

Emergency STOP

The emergency STOP buttons bring all machine movements to a standstill. Make sure you know exactly where they are located and how they work. Try them out. Always ensure easy access to the nearest emergency STOP button while working on the machine.

First Aid

1. Keep calm even when injured.
2. Clear the operator from the danger zone. The decision of what to do and whether to seek additional assistance rests entirely with you, particularly if someone has been trapped.
3. Give First Aid. Special courses are offered by such organizations as the employers' liability insurance association. Your colleagues should be able to rely on you and vice versa.
4. Call an ambulance. Do you know the telephone numbers for the ambulance service, police and fire service?

Important Notices

Reporting and Fighting Fires

Read the instructions posted in the factory with regard to reporting fires and the emergency exits. Make sure you know exactly where the fire extinguishers and sprinkler systems are located and how they are operated. Pass on the corresponding information to the firemen when they arrive. Ensure there are enough signs to avoid fire hazards.

The following fire extinguishers may be used:

- Dry powder extinguishers, ABC fire-extinguishing powder.
- Carbon dioxide fire extinguishers to DIN 14461 for electronic components. Great care must be exercised when using carbon dioxide fire extinguishers in confined, badly ventilated rooms (see DIN 14406 and 14270).

Isolate the machine from the power supply if a fire breaks out. Do not use water on burning electrical parts until it is absolutely certain that they have been completely disconnected from the power supply. Burning oils, lubricants, plastics and coatings on the machine can give off gases and vapors that may be harmful to your health.

A qualified person should be consulted to repair the damage after a fire.

Electrical Power Supply



Before undertaking any maintenance or repair work on the machine, switch off the electrical power to the machine at the main source and secure it with a padlock so that it cannot be switched on again without authorization.

In practice, this may mean that the technician, electrician and operator all attach their own padlock to the master switch simultaneously so that they can carry out their work safely. Locking extension plates should be available for multiple locks if required. The primary purpose for a lockout/tagout procedure is to protect workers from injury caused by unexpected energizing or start-up of equipment.

Energy sources (electrical/pneumatic/hydraulic, etc.) for the equipment shall be turned off or disconnected and the switches locked or labeled with a warning tag. It is the responsibility of the employer to establish control procedures. Follow lockout/tagout procedures before, setup and/or any service or maintenance work is performed, including lubrication, cleaning or clearance of jams.

Caution: The machine is still not completely de-energized even when the master switch is off.

- Electricity - The machine is always isolated from the electrical power supply whenever the master switch has been switched off. However, this does not apply for the power supply in the control cabinet, nor for equipment that does not draw its power via the master switch.
- Pneumatic / hydraulic energy - Almost all our machines carry compressed air. In addition to switching off the master switch, the air supply must also be disconnected and the machine checked to ensure it is depressurized before starting any work on the machine; otherwise the machine may execute uncontrolled movements.

- Kinetic energy - Note that some motors or spindles, for example, may continue to run or coast run on after being switched off.
- Potential energy - Individual assemblies may need to be secured if necessary for repair work.

Delivery of the Machine/Packaging

Note any markings on the packaging, such as weights, lifting points and special information. Avoid temperature fluctuations. Condensation may damage the machine.

Transport Damage

The packaging and machine must immediately be examined for signs of damage in transit. Such damage must be reported to the shipper/transporter within the applicable time limits. Contact Atlanta Attachment Company and/or your transport insurer immediately, if signs of damage are visible. Never operate a damaged machine.

Interim Storage

If the machine has to be stored temporarily, it must be oiled or greased and stored in a dry place where it is protected from the weather in order to avoid damage. A corrosion-inhibiting coating should be applied if the machine has to be stored for a longer period of time and additional precautions taken to avoid corrosion.

Transporting the Machine

Disconnect the machine from all external connections and secure any loose assemblies or parts. Never step under a suspended load. When transporting the machine or assemblies in a crate, ensure that the ropes or arms of a forklift truck are positioned as close to the edge of the crate as possible. The center of gravity is not necessarily in the middle of the crate. Note the accident prevention regulations, safety instructions and local regulations governing transport of the machine and its assemblies.

Only use suitable transport vehicles, hoisting gear and load suspension devices that are in perfect working order and of adequate carrying capacity. Transport should only be entrusted to duly qualified personnel.

Never allow the straps to rest against the machine enclosure and never push or pull sensitive parts of the machine. Ensure that the load is always properly secured. Before or immediately after loading the machine, secure it properly and affix corresponding warnings.

All transport guards and lifting devices must be removed before the machine is started up again. Any parts that are to be removed for transport must be carefully refitted and secured before the machine is started up again.

Workplace Environment

Our machines are designed for use in enclosed rooms: Permissible ambient temperature approx. 5 - 40 °C (40 - 104 °F). Malfunctions of the control systems and uncontrolled machine movements may occur at temperatures outside this range.

Protect against climatic influences, such as electrostatic charges, lightning strikes, hail, storm damage, high humidity, salinity of the air in coastal regions.

Protect against influences from the surroundings: no structure-borne vibrations, no grinding dust, or chemical vapors.

Protect against unauthorized access.

Ensure that the machine and accessories are set up in a stable position.

Ensure easy access for operation and maintenance (Instruction Manual and layout diagram); also verify that the floor is strong enough to carry the weight of the machine.

Local Regulations

Particular attention must be paid to local and statutory regulations, etc. when installing machines and the plant (e.g. with regard to the specified escape routes). Note the safety zones in relation to adjacent machines.

Maintenance

General Safety Instructions

The machine shall be switched off, come to a standstill and be secured so that it cannot be switched on again inadvertently before starting any maintenance work whatsoever. Use proper lockout/tagout procedures to secure the machine against inadvertent startup.

Remove any oil, grease, dirt and waste from the machine, particularly from the connections and screws, when starting the maintenance and/or repair work. Do not use any corrosive-cleaning agents. Use lint-free rags.

Retighten all screw connections that have to be loosened for the maintenance and repair work. Any safety mechanisms that have to be dismantled for setting-up, maintenance or repair purposes must be refitted and checked immediately after completing the work.

Maintenance, Care, Adjustment

The activities and intervals specified in the Instruction Manual for carrying out adjustments, maintenance and inspections must be observed and parts replaced as specified.

All hydraulic and pneumatic lines should be examined for leaks, loose connections, rubbing and damage whenever the machine is serviced. Any defects found must be remedied immediately.

Waste, Disassembly, Disposal

Waste products should be cleared from the machine as soon as possible as not to create a fire hazard. Ensure that fuels and operating lubricants, as well as replacement parts are disposed of in a safe and ecologically acceptable manner. Note the local regulations on pollution control.

When scrapping (disassembling) the machine and its assemblies, ensure that these materials are disposed of safely. Either commission a specialist company familiar with the local regulations or note the local regulations when disposing of these materials yourself. Materials should be sorted properly.

Repair

Replacement Parts

We cannot accept any liability whatsoever for damage due to the use of parts made by other manufacturers or due to unqualified repair or modification of the machine.

Repair, Electrical

The power supply must be switched off (master switch off) and secured so that it cannot be switched on again inadvertently before starting any work on live parts.

Those parts of the machine and plant on which inspection, maintenance or repair work is to be carried out must be isolated from the power supply, if specified. The isolated parts must first be checked to determine that they are truly de-energized before being grounded and short-circuited. Adjacent live parts must also be isolated.

The protective measures implemented (e.g. grounding resistance) must be tested before restarting the machine after all assembly or repair work on electric parts.

Signal generators (limit switches) and other electrical parts on the safety mechanisms must not be removed or bypassed. Only use original fuses or circuit overloads with the specified current rating. The machine must be switched off immediately if a fault develops in the electrical power supply.

The electrical equipment of our machines must be checked at regular intervals and any defects found must be remedied immediately.

If it is necessary to carry out work on live parts, a second person should be on hand to operate the emergency OFF switch or master switch with voltage release in the event of an emergency. The working area should be cordoned off and marked by a warning sign. Only use electrically insulated tools.

Ventilation/Hazardous Gases

It is the end users responsibility to ensure adequate ventilation is provided to exhaust any and all noxious or hazardous gases that may be present in the working environment.

Hydraulic and Pneumatic Systems

Work on hydraulic or pneumatic equipment shall only be carried out by persons with training, knowledge and experience of hydraulic systems. Pressure lines shall be depressurized before starting any repair work.

General Liability

Liability for machine damage and personal injury is extinguished completely if any unauthorized conversions or modifications are undertaken. The machine must not be modified, enlarged or converted in any way capable of affecting safety without the manufacturer's prior approval.

Starting Machine Movements

Read the Instruction Manual carefully to establish which keys and functions start machine movements.

A Word to the End User

The end user has sole responsibility to enforce the use of safety procedures and guards on the machine. Any other safety devices or procedures due to local regulations should be should be retrofitted in accordance to these regulations and/or the EC Directive on the safety of machines.

Operator's position must always be readily accessible. Escape routes must always be kept clear and safety areas should be identified.

Safety Precautions

Safety should be a constant concern for everyone. Always be careful when working with this equipment. While normal safety precautions were taken in the design and manufacture of this equipment, there are some potential safety hazards.

Everyone involved with the operation and maintenance of this equipment should read and follow the instructions in this manual.

Operate the equipment only as stated in this manual. Incorrect use could cause damage to the equipment or personal injury.

It is the owner's responsibility to make certain that the operator reads and understands this manual before operating this equipment. It is also the owner's responsibility to make certain that the operator is a qualified and physically able individual, properly trained in the operation of this equipment.

Specific safety warning decals are located on the equipment near the immediate areas of potential hazards. These decals should not be removed or obliterated. Replace them if they become non-readable.

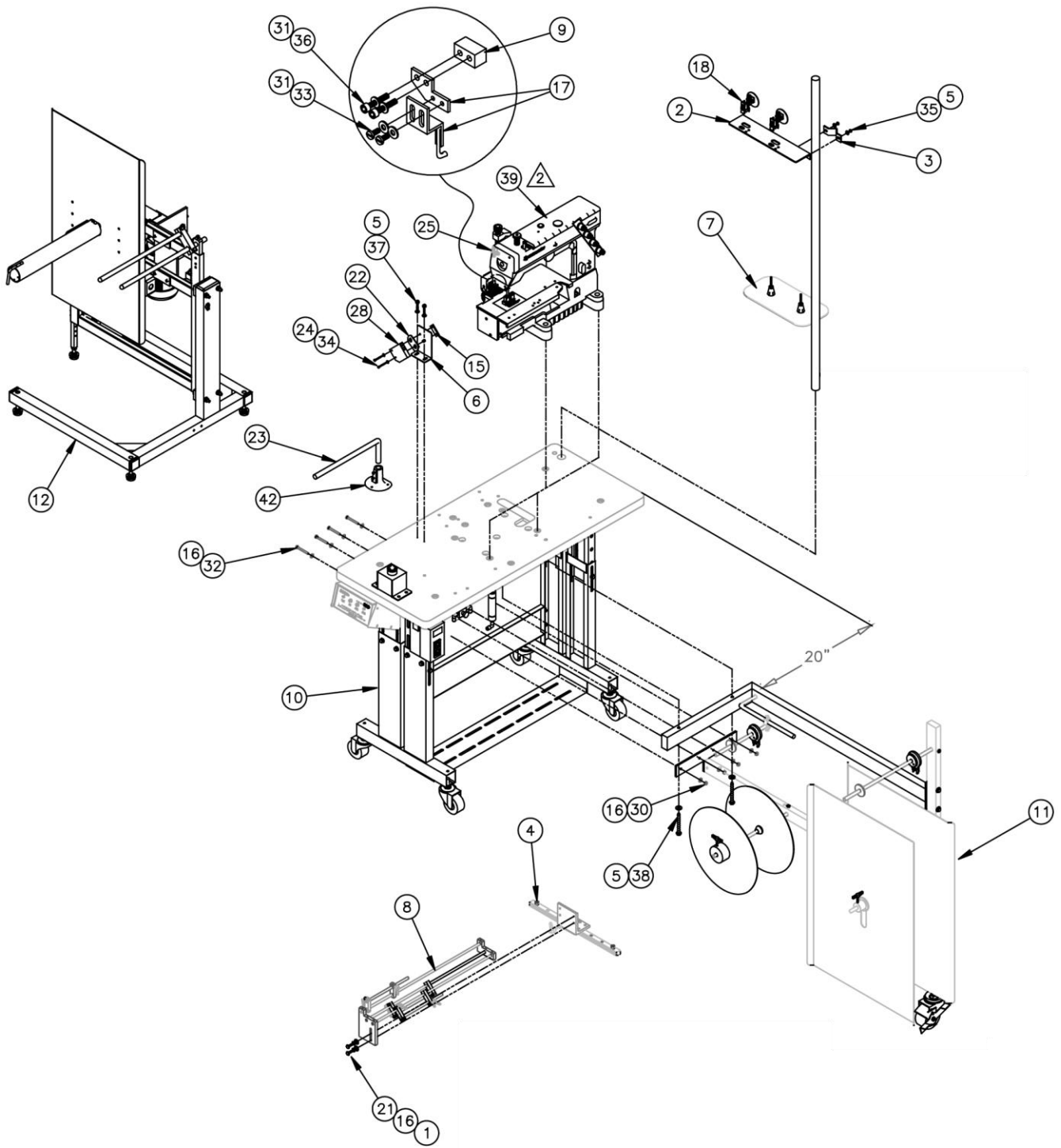
- ALWAYS keep safety shields and covers in place, except for servicing.
- ALWAYS operate equipment in daylight or with adequate working lights.
- Follow daily and weekly checklists, making sure hoses are tightly secured and bolts are tightened.
- ALWAYS watch and avoid holes or deep depressions.
- ALWAYS wear adequate eye protection when servicing the hydraulic system and battery.
- NEVER operate a poorly maintained machine.
- NEVER allow persons to operate this machine without proper instruction.
- NEVER put hands or feet under any part of the machine while it is running.
- NEVER attempt to make any adjustments or repairs to the machine while running. Repairs or maintenance should be performed by trained personnel only.
- NEVER work under the machine unless it is safely supported with stands, blocks or a hoist and blocks.
- NEVER touch hot parts of machine.

Assembly Drawings & Parts Lists

The materials contained herein are confidential and proprietary information of Atlanta Attachment Company. In addition to any confidentiality and non-disclosure obligations that currently exist between you and Atlanta Attachment Company, your use of these materials serves as an acknowledgment of the confidential and proprietary nature of these materials and your duty not to make any unauthorized use or disclosure of these materials.



One-Stop Shopping
For Expendable Replacement Parts for AAC & Other Bedding Equipment Suppliers
Toll Free: **1-866-885-5100**
www.atlantapartsdepot.com • sales@atlantapartsdepot.com



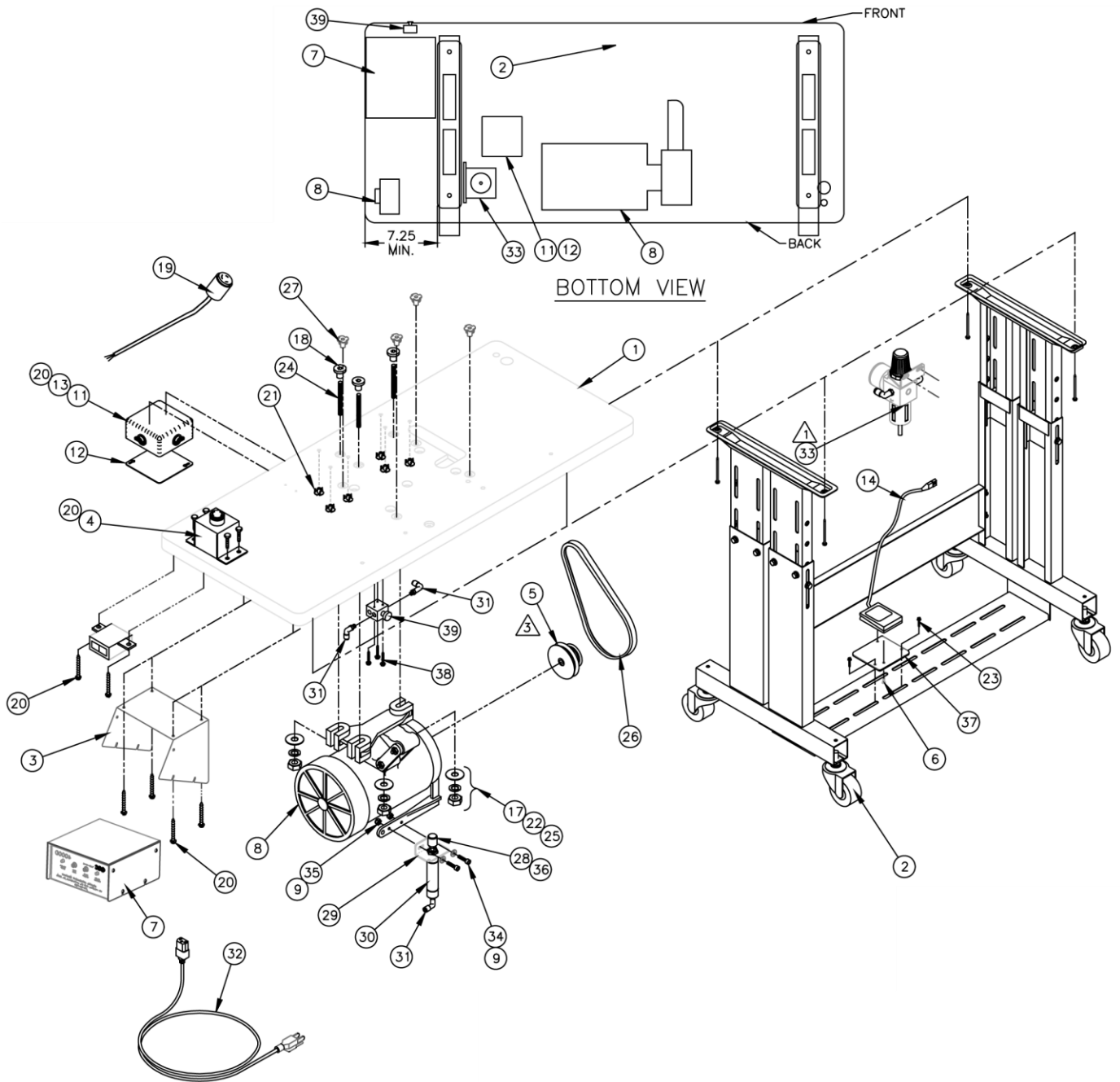
From the library of: Diamond Needle Corp

11334SY28A Auto Flanging Workstation

AAC Drawing Number 192921B Rev7

NO.	QTY	PART #	DESCRIPTION	
1	6	WWL1/4	Lock Washer	
2	1	0411-069B	Thread Break Brkt	
3	1	0411-070	Clamp, Sensor Brkt	
4	1	1334-1100D	Folder Mount	Page 25
5	6	WWFS10	Flat Washer	
6	1	1959-009	Eye Brkt	
7	1	1959-112	Thread Plate	
8	1	1334-1200A	Material Guide	Page 27
9	AR	1959-025	Spacer	
10	1	1959-700	Table & Frame	Page 15
11	1	1959-800	Roll Holder	Page 17
12	1	1330200	Rewinder Assy	Page
13	AR	1959-106A	Vertical Tube w/ flange	
14	AR	1334S-WD	Wiring Diagram	Page 29
15	1	1975-412A	Nut Plate	
16	12	WWFS1/4	Flat Washer	
17	AR	3151010	Wiper	
18	2	4003-IS3WT2	Sensor	
19	1	4003-MA3/FE	Cable	
20	1	AAV125B	Pilot Valve	
21	2	SSHC01064	Screw, Hex Cap	
22	1	WW25DW	Washer Plate	
23	1	1347117	Rod	
24	2	WWF4	Flat Washer	
25	1	AA2000F-03	Flow Control	
26	1	AATPWL1	Wire Loom	
27	20'	EE8205	Cable	
28	1	FFQM42VN6A	Electric Eye	
29	1	FFRK44T-4	Eye Cable	
30	4	NNK1/4-20	Kep Nut	
31	AR	WW000538	Washer	
32	7	SSHC01128	Screw, Hex Cap	
33	AR	SSM110009	Screw, Throat Plate	
34	2	SSPS70048	Screw, Pan Head	
35	2	SSPS98024	Screw, Pan Head	
36	AR	SSSCM4X20	Screw, Socket Cap	
37	4	SSZH#10064	Screw, Sheet Metal	
38	2	SSZH#10192	Screw, Sheet Metal	
39	1	1334-1000A	Sewing Head	Page 23
40	AR	ZZ11334SY28A	Technical Manual	
41	AR	1334S-PD	Pneumatic Diagram	Page 28
42	1	AP-1721	Stand	

From the library of: Diamond Needle Corp



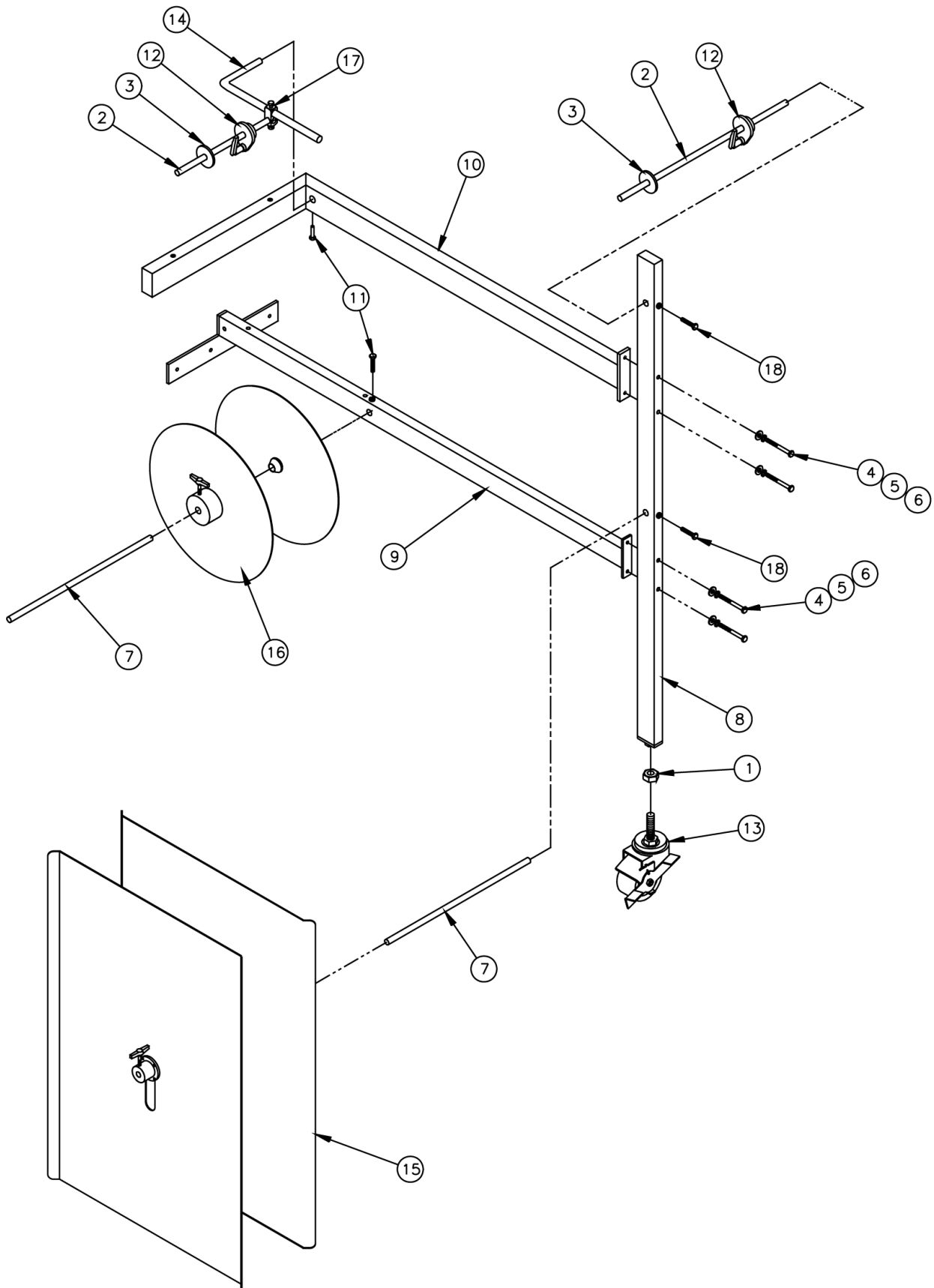
1959-700 Table & Frame Assembly

AAC Drawing Number 192738C Rev9

NO.	QTY	PART #	DESCRIPTION
1	1	1959-004	TABLE TOP
2	1	K-4D	STAND
3	1	1959-120	MNT BRKT
4	1	213-005Y	STOP BUTTON
5	1	PPM615	PULLEY
6	2	SSFC80016	FLAT ALLEN SCREW 6-32 X 1/4
7	1	4000D-500	CONTROL BOX
8	1	4058-2	MOTOR
9	4	WWFS1/4	FLAT WASHER SAE
10	4	SSZH#10192	SHEET METAL SCREW #10X3
11	1	K-233	ELEC. BOX
12	2	K-234	COVER
13	5	K-235	ROMEX CONN.
14	1	EE24F163	FOOT SWITCH
15	AR	1959-WD	WIRING DIAGRAM
16	AR	1959-PD	PNEUMATIC DIAGRAM
17	3	NNH5/16-18	HEX NUT
18	3	NNM103	RECESSED NUT
19	1	FFHBL4579C	RECEPTACLE,3 POLE,3W
20	12	SSZH#10064	SHEET METAL SCREW #10X1
21	6	TTIW1/4-20	THREADED INSERT
22	3	WWF5/16	FLAT WASHER
23	2	SSZH#10032	HEX SHEET METAL SCREW #10-1/2
24	3	010-054	THD ROD, 5/16 X 3.25L
25	3	WWL5/16	LOCK WASHER
26	1	ZX3834	BELT
27	4	TTIW3/8-16	RECESSED NUT
28	1	11200	BUMPER
29	1	97-2602	BRKT, CLUTCH CYL
30	1	AAC7DP-2	AIR CYLINDER
31	3	AAQME-5-8	QUICK MALE ELBOW
32	1	EE37F3311	POWER CORD
33	1	AA198-5/32	AIR REGULATOR
34	2	SSSC01048	SCREW, SOCKET CAP 1/4-20 X 3/4
35	2	NNK 1/4-20	KEP NUT
36	1	NNJ1/4-20	JAM NUT
37	1	1961-159	PLATE, FOOT PEDAL
38	3	SSZH#6096	SCREW, HEX SHEET METAL#6-1 1/2
39	1	AAVMB43	SWITCH,AIR,3 WAY W/EXH

Page 29

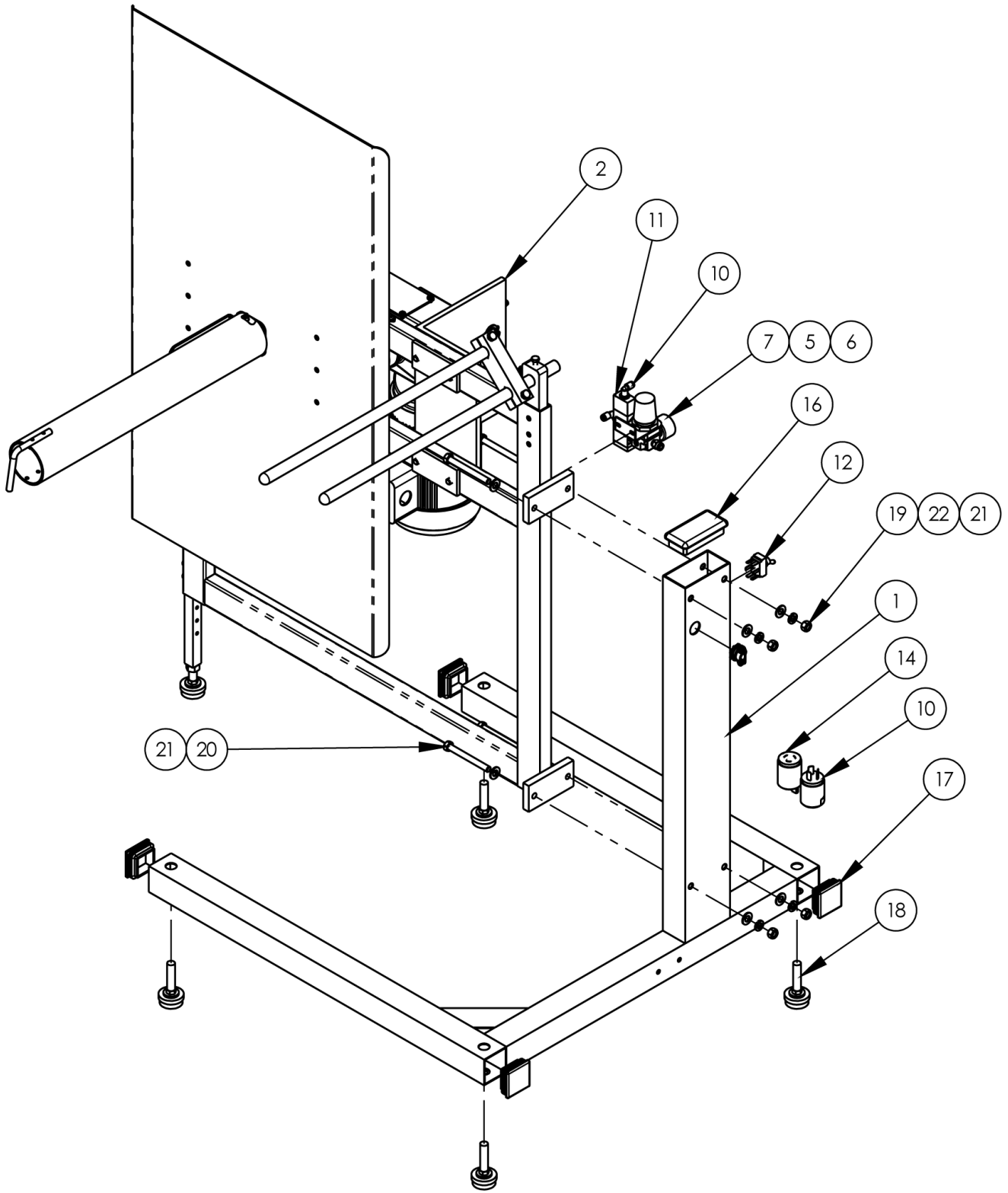
Page 28



1959-800 Roll Holder Assembly

AAC Drawing Number 192739C Rev4

NO.	QTY	PART #	DESCRIPTION
1	1	NNH1/2-13	Hex Nut
2	2	1959-802	Rod,St,3/8x28
3	2	A-4-024	Hub
4	4	SSHC01160	Screw, Hex Cap
5	4	WWL1/4	Lock Washer
6	4	WWFS1/4	Flat Washer
7	2	1959-801	Rod, 1/2 x 28
8	1	1959-105	Tube Assy
9	1	1959-106	Tube w/ Flange
10	1	1959-107	Material Frame Assy
11	2	SSHC01080	Screw, Hex Cap
12	2	4009-1	Material Ctrl
13	1	MM503022LB	Caster
14	1	780-102	Rod, L, 1/2 x 6 x 12
15	2	785-A95-36	Disc Assy
16	2	786B16-2.2	Disc & Cone Assy
17	1	A-U	Rod Conn.
18	2	SSHC10064	Screw, Hex Cap



1330200 Rewinder Assembly

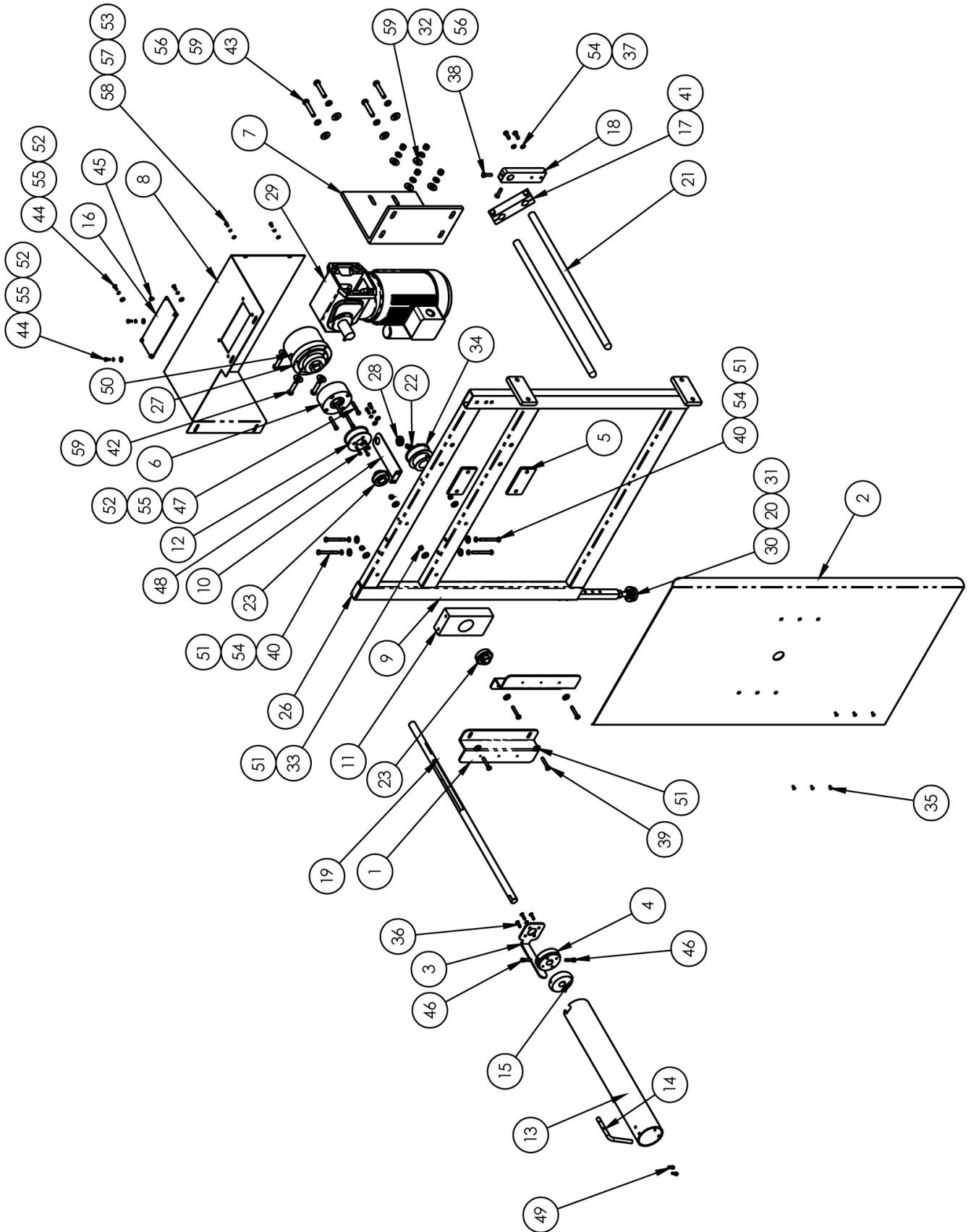
AAC Drawing Number 1330200 Rev4

NO.	QTY	PART #	DESCRIPTION
1	1	1330201	REWINDER MOUNTING
2	1	1347098	REWIND ASSY W/SLEEVE
3	AR	1347MA-PD	PNEUMATIC DIAGRAM
4	AR	1347MA-WD	WIRING DIAGRAM
5	1	4130-001	REGULATOR BRACKET
6	1	AA198-502	REGULATOR,AIR,0-30 PSI
7	1	AA198-5032	0-60PSI AIR GAGE 1/8NPT
8	1	AAF122A-A	1/8" NPT HEX CLOSE
9	1	AAQMC-4-8	QUICK MALE CONN,1/4X1/8
10	2	AAQME-5-4	ELBOW, MALE 5/32X1/4NPT
11	1	AAV125B	PILOT VALVE
12	1	FF23F356	DPDT SWITCH,ON-OFF-ON
10	1	FFHBL4570C	PLUG, 2P/3W, GROUNDING
14	1	FFHBL4579C	RECEPTACLE,3 POLE,3W
15	2	K-235	CONNECTOR,ROMEX,1/2"
16	1	MM132-2X4	END CAP,RECT,BLACK
17	4	MM9565K56	PLUG,BLACK, 2" SQ
18	4	MMFB4444	FOOT, RUBBER
19	4	NNH3/8-16	3/8-16 HEX NUT
20	4	SSHC25224	3/8-16 X 3-1/2 HEX HEAD
21	8	WWFS3/8	WASHER, FLAT, 3/8
22	4	WWL3/8	3/8 LW

Page 21

Page 29

Page 31

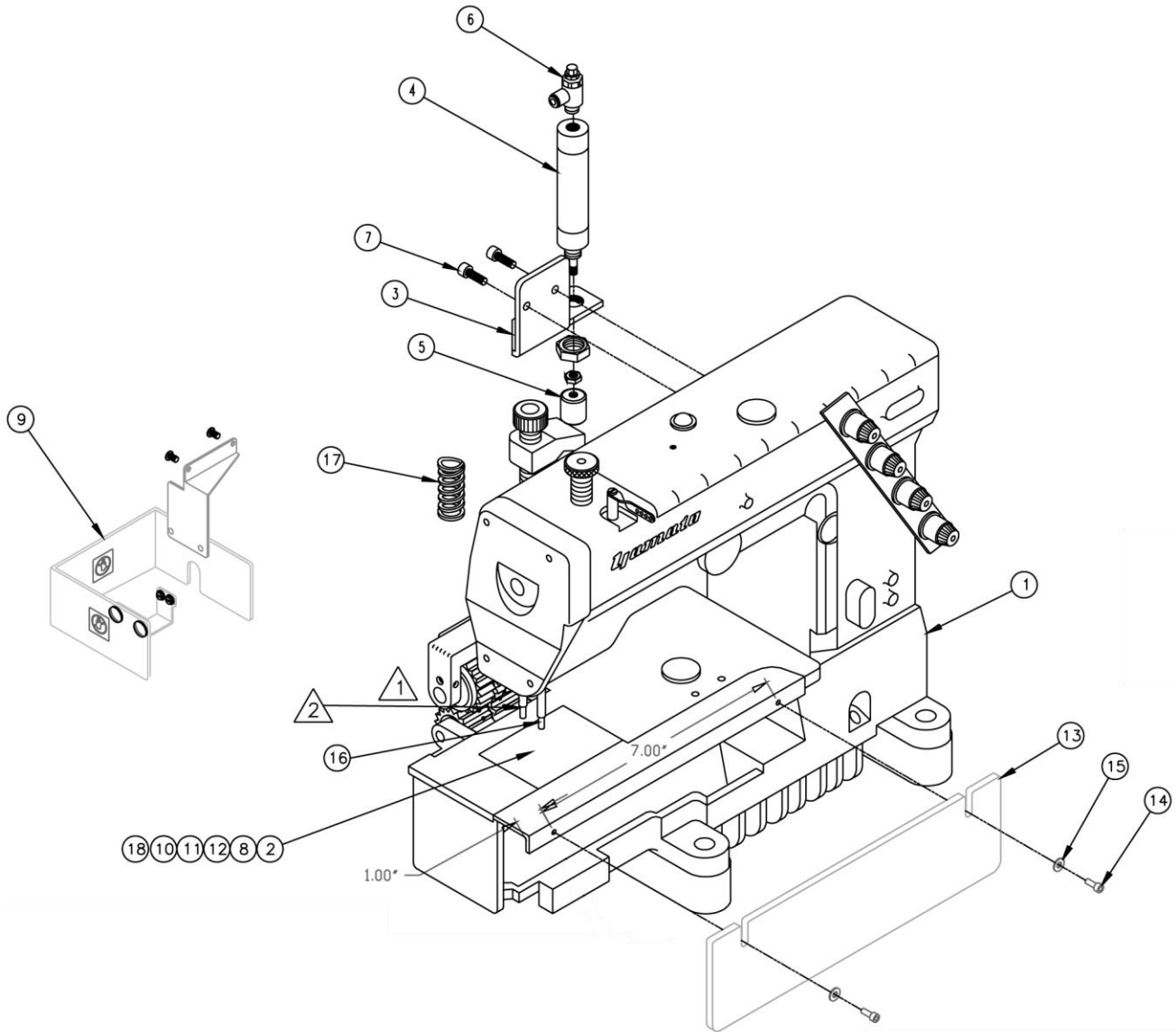


1347098 Rewind Assembly W/Sleeve

AAC Drawing Number 1347098 Rev1

NO.	QTY	PART #	DESCRIPTION	NO.	QTY	PART #	DESCRIPTION
1	2	1334326	MOUNT, FLANGE	31	1	NNH1/2-13	NUT,HEX,1/2-13
2	1	1334376	PLATE, REWIND,24 X 40	32	4	NNH3/8-16	NUT,HEX,3/8-16
3	1	1334387	CATCH, MATL. TAKEUP REEL	33	1	PP22LB075-1-1/8	PULLEY, GEAR, 3/8P, 22T
4	1	1334388	HUB, TAKEUP SPINDLE	34	6	SSFC80024	6-32 X 3/8 FLAT CAP
5	2	1961-319	PLATE,NUT,3/8-16@3.00 CTC	35	4	SSFC98048	#10-32 X .75 SHCSF
6	1	1961-321	PLATE, ADAPTOR, AIR CLUTC	36	4	SSHC01048	1/4-20 X 3/4 HEX CAP
7	1	1961-331	MOUNT, MOTOR	37	2	SSHC01064	1/4-20 X 1 HHCS
8	1	1961-332	COVER, MOTOR	38	4	SSHC01096	1/4-20 X 1-1/2 HHCS
9	1	1961-335	FRAME, PREFEED & REWIND A	39	4	SSHC01160	1/4-20 X 2-1/2 HHCS
10	1	1961-354B	SUPPORT, AIR CLUTCH	40	2	SSHC10096	5/16-18 X 1-1/2 HHCS
11	1	1961-365B	BLOCK, BEARING MOUNT	41	4	SSHC25096	3/8-16 X 1 1/2 HEX HEAD
12	1	1961-366A	PULLEY,CLUTCH,22 TH,3/8 P	42	4	SSHC25128	3/8-16 X 2 HEX CAP
13	1	1961-372	SLEEVE, REWIND, 18" CAP	43	4	SSPP98032	10-32 X 1/2 PAN PHIL
14	1	1961-374A	HANDLE, SLEEVE	44	4	SSPS95016	#10-24 X 1/4 PAN HD SLTD
15	1	1961-379	SUPPORT,REWIND SLEEVE	45	2	SSSC01064	1/4-20 X 1 SOC CAP
16	1	1961104	COVER, INSPECTION	46	4	SSSC01096	1/4-20 X 1-1/2 SOC CAP
17	1	1962-3201	CLAMP, 3/4 ROD, 3" CTC	47	3	SSSC90064	#8-32 X 1 SOC CAP SC
18	1	1962-3202A	SUPPORT, TENSION PULLER	48	4	SSSC98032	10-32X1/2, SOC CAP
19	1	1962-375	SHAFT, AIR CLUTCH, MM8028	49	2	SSSS01016	1/4-20 X 1/4 KNURL PT
20	1	26127	LEG FOR AP-26-02	50	14	WWF1/4	WASHER, FLAT, 1/4", COM
21	2	33008202	ROD,ROLL,SST,3/4X21 W/RAD	51	6	WWF10	WASHER, FLAT, #10, COM
22	1	AAQMEL-5-8	QUICK MALE ELBOW, LONG	52	2	WWF8	WASHER, FLAT, #8
23	2	BBS8703-88	BEARING,BALL,.75IDX1.75OD	53	8	WWL1/4	WASHER,LOCK,1/4
24	1	GG225L075	GEAR BELT	54	6	WWL10	WASHER,LOCK,#10
25	1	K-235A	ROMEX CONNECTOR	55	8	WWL3/8	WASHER, LOCK, 3/8
26	1	MM132-1496	PLUG 1 X 2	56	2	WWL8	WASHER,LOCK,#8
27	1	MM802860	CLUTCH,AIR,3/4 BORE,4.5"D	57	2	SSPP90024	8-32X3/8 PAN PHLPS
28	1	MM9600K21	GROMMET,RUBBER,9/16 ID	58	12	WWF3/8	WASHER,FLAT,3/8 OR 10MM
29	1	MMBH2LM22R	MOTOR,GEAR,R/A,220V	59	4	NNK1/4-20	NUT,HEX,KEP,1/4-20,W/LOCK
30	1	MMFB4444	FOOT, RUBBER				

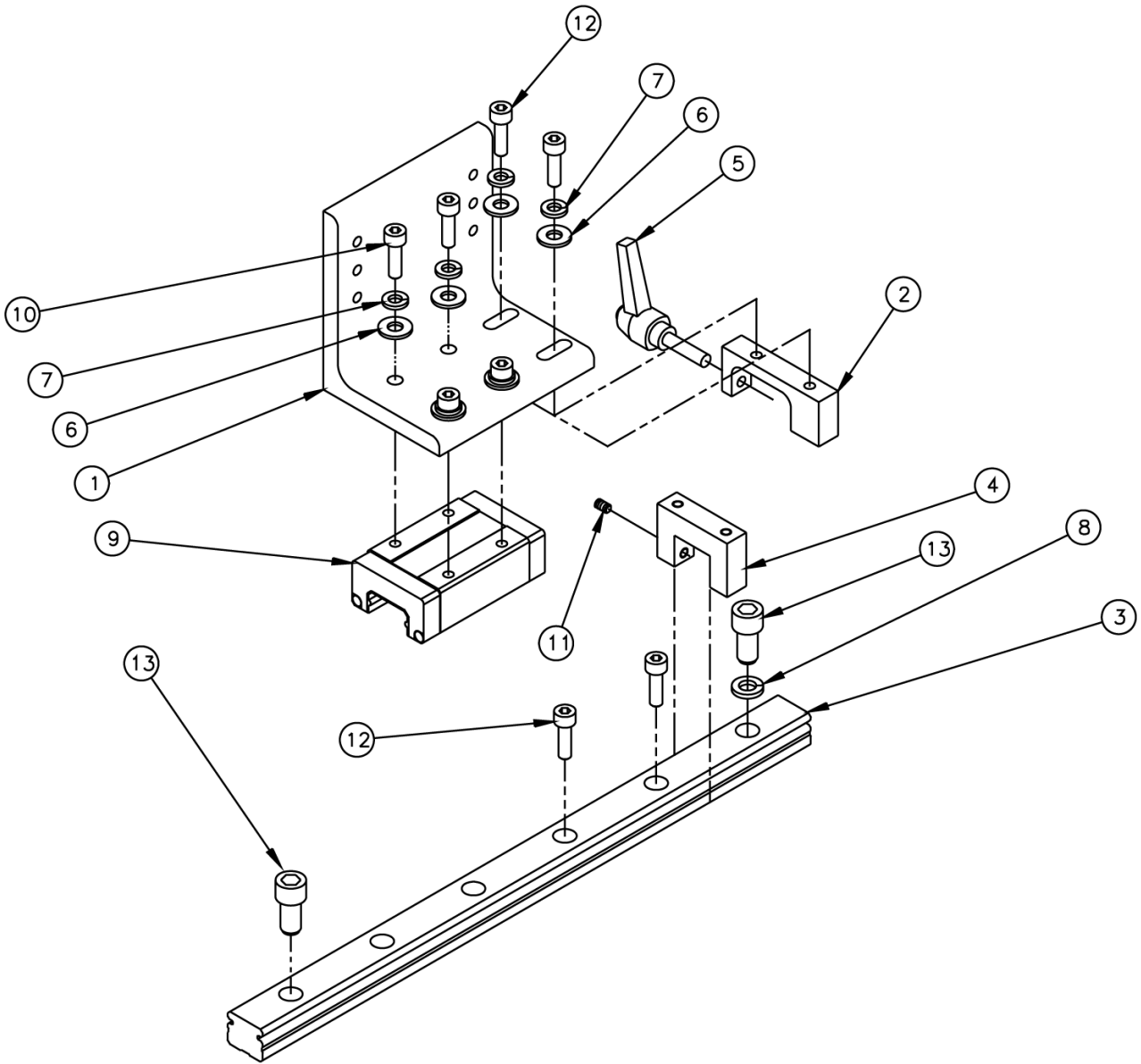
From the library of: Diamond Needle Corp



1334-1000A Sewing Head Assembly

AAC Drawing Number 192557C Rev3

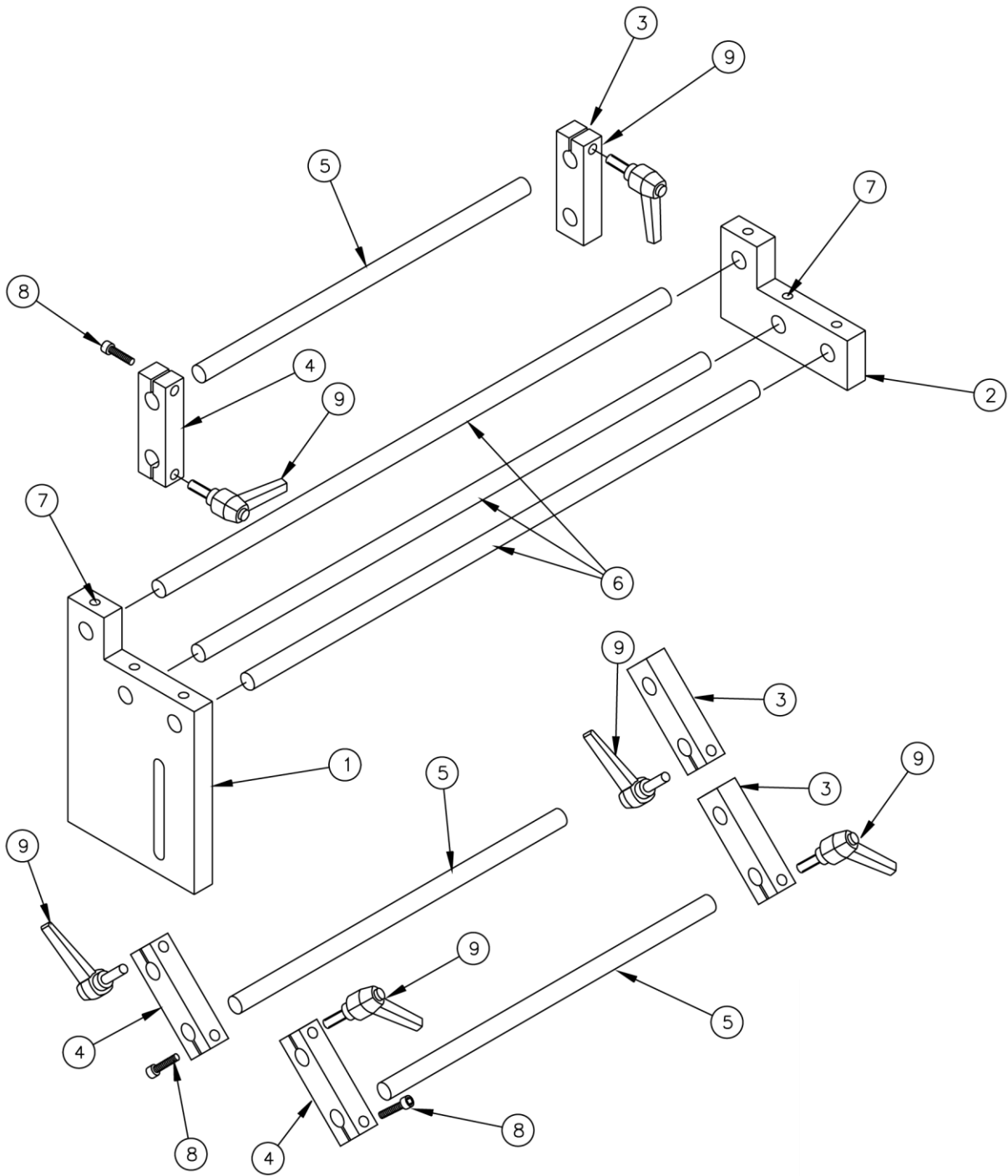
NO.	QTY	PART #	DESCRIPTION
1	1	SYAM-1804A	SEWING HEAD
2	1	1862N94016	NEEDLE HOLDER
3	1	112013	BRACKET
4	1	AAC6S-1-H	AIR CYLINDER
5	1	11200A	BUMPER
6	1	AA198RR508	FLOW CONTROL
7	2	SSSCM6X16	SCREW, SOCKET CAP M6 X 1 X 16MM
8	1	54242B9016	SPREADER
9	1	1959-412	GUARD
10	1	54205A9016	FEED DOG
11	1	54420X9016	PRESSER FOOT
12	1	54224A9016	THROAT PLATE
13	1	1334041	GUARD, THRD GUIDES
14	2	SSSC98032	SCREW, SOCKET CAP
15	2	WWFS10	FLAT WASHER
16	1	3300012M	NEEDLE BAR MOD
17	1	RRLC105J10	SPRING, PULLER
18	1	1862N95016	LOOPER HOLDER
19	10	SN11318GB	NEEDLE, SYS UY113, SIZE 18



1334-1100D Folder Mount Assembly

AAC Drawing Number 192929C Rev1

NO.	QTY	PART #	DESCRIPTION
1	1	1334-1005	Mount, Angle, Lower
2	1	1334-1006	Mount, Lock Handle
3	1	MMAGR25360M	Rail
4	1	1335-310	Stop Block
5	1	TTH32416	Threaded Handle
6	6	WWFS1/4	Flat Washer
7	6	WWL1/4	Lock Washer
8	1	WWL3/8	Lock Washer
9	1	MMAGH25CAN	Bearing Block
10	4	SSSCM6X20	Screw, Socket Cap
11	1	SSSS98032	Screw, Socket Set
12	4	SSSC01048	Screw, Socket Cap
13	2	SSSC25048	Screw, Socket Cap

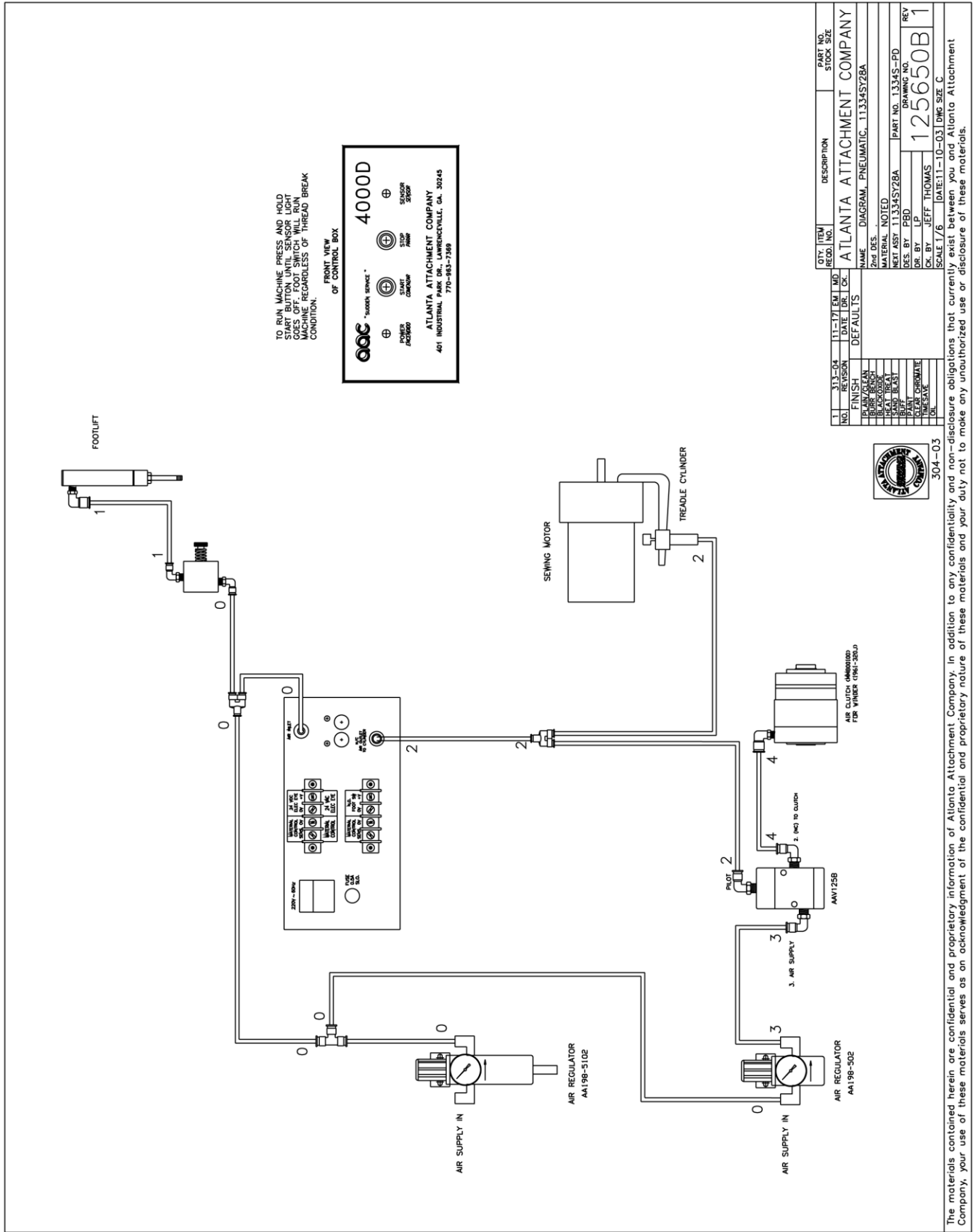


1334-1200A Material Guide Assembly

AAC Drawing Number 192092B Rev0

NO.	QTY	PART #	DESCRIPTION
1	1	1334-1023	Guide Mount
2	1	1334-1024	Support
3	3	1335-318	Rod Slide Arm
4	3	1335-319	Rod Clamp Arm
5	3	1335-320C	Rod, 3/8 x 9
6	3	1335Q-130A	Rod, 3/8 x 24
7	10	S55S01024	Screw, Socket Set
8	3	S55C95048	Screw, Socket Cap
9	6	TTH34311	Threaded Handle

1334S-PD Pneumatic Diagram



From the library of: Diamond Needle Corp

Atlanta Attachment Company (AAC) Statement of Warranty

Manufactured Products

Atlanta Attachment Company warrants manufactured products to be free from defects in material and workmanship for a period of eight hundred (800) hours of operation or one hundred (100) days whichever comes first. Atlanta Attachment Company warrants all electrical components of the Serial Bus System to be free from defects in material or workmanship for a period of thirty six (36) months.

Terms and Conditions:

- AAC Limited Warranty becomes effective on the date of shipment.
- AAC Warranty claims may be made by telephone, letter, fax or e-mail. All verbal claims must be confirmed in writing.
- AAC reserves the right to require the return of all claimed defective parts with a completed warranty claim form.
- AAC will, at its option, repair or replace the defective machine and parts upon return to AAC.
- AAC reserves the right to make the final decision on all warranty coverage questions.
- AAC warranty periods as stated are for eight hundred (800) hours or one hundred (100) days whichever comes first.
- AAC guarantees satisfactory operation of the machines on the basis of generally accepted industry standards, contingent upon proper application, installation and maintenance.
- AAC Limited Warranty may not be changed or modified and is not subject to any other warranty expressed or implied by any other agent, dealer, or distributor unless approved in writing by AAC in advance of any claim being filed.

What Is Covered

- Electrical components that are not included within the Serial Bus System that fail due to defects in material or workmanship, which are manufactured by AAC are covered for a period of eight hundred (800) hours.
- Mechanical parts or components that fail due to defects in material or workmanship, which are manufactured by AAC.
- Purchased items (sewing heads, motors, etc.) will be covered by the manufacturers (OEM) warranty.
- AAC will assist in the procurement and handling of the manufacturers (OEM) claim.

What Is Not Covered

- Parts that fail due to improper usage, lack of proper maintenance, lubrication and/or modification.
- Damages caused by; improper freight handling, accidents, fire and issues resulting from unauthorized service and/or personnel, improper electrical, plumbing connections.
- Normal wear of machine and parts such as Conveyor belts, "O" rings, gauge parts, cutters, needles, etc.
- Machine adjustments related to sewing applications and/or general machine operation.
- Charges for field service.
- Loss of time, potential revenue, and/or profits.
- Personal injury and/or property damage resulting from the operation of this equipment.

Declaración de Garantía

Productos Manufacturados

Atlanta Attachment Company garantiza que los productos de fabricación son libres de defectos de material y de mano de obra durante un periodo de ochocientos (800) horas de operación o cien (100) días cual llegue primero. Atlanta Attachment Company garantiza que todos los componentes del Serial bus son libres de defectos de material y de mano de obra durante un periodo de treinta y seis (36) meses.

Términos y Condiciones:

- La Garantía Limitada de AAC entra en efecto el día de transporte.
- Reclamos de la Garantía de AAC pueden ser realizados por teléfono, carta, fax o correo electrónico. Todo reclamo verbal tiene que ser confirmado vía escrito.
- AAC reserva el derecho para exigir el retorno de cada pieza defectuosa con un formulario de reclamo de garantía.
- AAC va, según su criterio, reparar o reemplazar las máquinas o piezas defectuosas devueltas para AAC.
- AAC reserva el derecho para tomar la decisión final sobre toda cuestión de garantía.
- Las garantías de AAC tiene una validez de ochocientas (800) horas o cien (100) días cual llega primero.
- AAC garantiza la operación satisfactoria de sus máquinas en base de las normas aceptadas de la industria siempre y cuando se instale use y mantenga de forma apropiada.
- La garantía de AAC no puede ser cambiado o modificado y no está sujeto a cualquier otra garantía implicado por otro agente o distribuidor menos al menos que sea autorizado por AAC antes de cualquier reclamo.

Lo Que Está Garantizado

- Componentes eléctricos que no están incluidos dentro del sistema Serial Bus que fallen por defectos de materiales o de fabricación que han sido manufacturados por AAC son garantizados por un periodo de ochocientas (800) horas.
- Componentes mecánicos que fallen por defectos de materiales o de fabricación que han sido manufacturados por AAC son garantizados por un periodo de ochocientas (800) horas.
- Componentes comprados (Motores, Cabezales,) son protegidos debajo de la garantía del fabricante.
- AAC asistirá con el manejo de todo reclamo de garantía bajo la garantía del fabricante.

Lo Que No Está Garantizado

- Falla de repuestos al raíz de uso incorrecto, falta de mantenimiento, lubricación o modificación.
- Daños ocurridos a raíz de mal transporte, accidentes, incendios o cualquier daño como resultado de servicio por personas no autorizados o instalaciones incorrectas de conexiones eléctricas o neumáticas.
- Desgaste normal de piezas como correas, anillos de goma, cuchillas, agujas, etc.
- Ajustes de la máquina en relación a las aplicaciones de costura y/o la operación en general de la máquina.
- Gastos de Reparaciones fuera de las instalaciones de AAC
- Pérdida de tiempo, ingresos potenciales, y/o ganancias.
- Daños personales y/o daños a la propiedad como resultado de la operación de este equipo.



From the library of: Diamond Needle Corp

Atlanta Attachment Company
362 Industrial Park Drive
Lawrenceville, GA 30046
770-963-7369
www.atlatt.com

Printed in the USA